



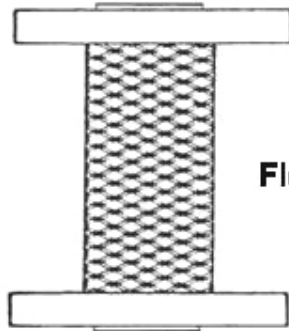
# Flexible Connector

SUBMITTAL

## Type F/F/R

TT-20

### SILOFLEX<sup>®</sup> Lined



Flex/Flo/R

Job \_\_\_\_\_

Contractor \_\_\_\_\_

Engineer \_\_\_\_\_

Representative \_\_\_\_\_

Order No. \_\_\_\_\_ Date \_\_\_\_\_

Submitted by \_\_\_\_\_

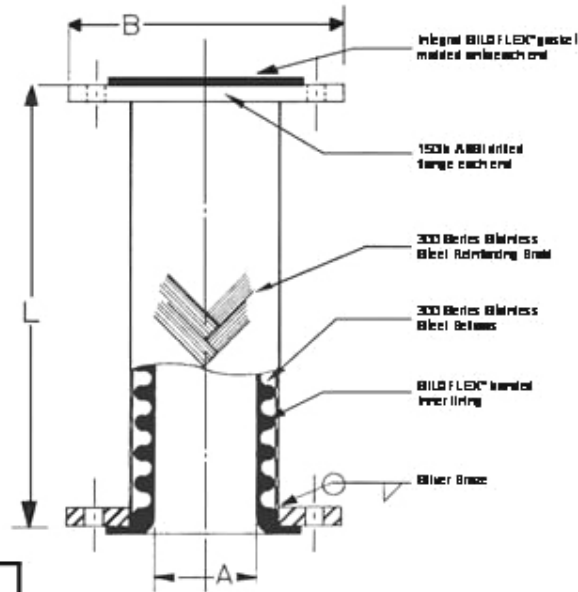
Approved by \_\_\_\_\_ Date \_\_\_\_\_

Tag \_\_\_\_\_

- SILOFLEX<sup>®</sup> silicone rubber liner and integral gasket
- 300 series stainless steel convoluted bellows and wire braid
- Operating temperature of: -60° F to +250° F
- Working pressure of 150 PSIG, 300 PSIG available
- Interior surface is sanitary with no areas of entrapment

For food & beverage applications:  
(Sanitary Flex/Flo/R Model #1511)

- Food grade FDA SILOFLEX<sup>®</sup> liner and integral gasket
- 150# ANSI drilled T304 stainless steel flanged ends
- Food Grade FDA SILOFLEX<sup>®</sup> sanitary braid cover available



NOMINAL PIPE SIZE A	FLANGE DIAMETER B	FLEX FLO/R <sup>®</sup> LENGTH L		
1 1/2	5	6	12	18
2	6	6	12	18
2 1/2	7	6	12	18
3	7 1/2	6	12	18
4	9	6	12	18
5	10	12	18	24
6	11	12	18	24
8	13 1/2	12	18	24
10	16	12	18	24
12	19	12	18	24

**THERMO  
TECH INC.**

261 South Sable Fe Drive  
Denver, Colorado 80223  
Phone (303) 696-9968  
www.thermotechinc.com