

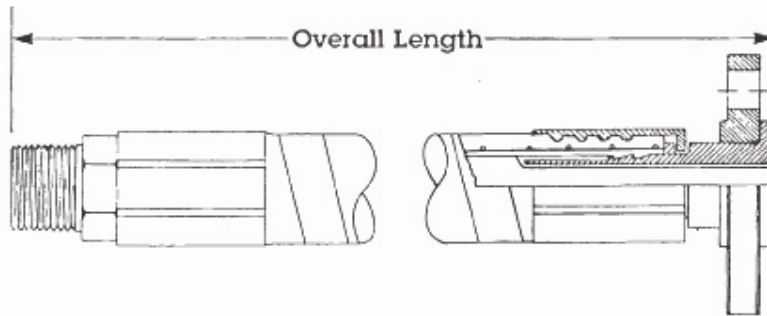


# SMOOTH TEFLON<sup>®</sup> TUBE HOSE Chemical Resistant Rubber Cover

Smooth White FDA Teflon<sup>®</sup>Lined Hose  
with multiple braid reinforcement, wire helix  
supported and an ozone and abrasion resistant cover.

Available in 1/2" through 4" Diameters with Stainless Steel  
Male & Female NPT, Male & Female JIC Swivel, Sanitary Clamp and  
Bevel Seat, Acme Thread, Cam & Groove, Butt Weld and Flanged End Fittings.

Temperature Range of - 20° F to + 300° F / Pressure and Vacuum Ratings @ 70° F



Nominal Size	Part #	Working Pressure	Bend Radius	Vacuum Rating
1/2"	08RCTT	500 PSI	3.0"	29.9" Hg
3/4"	12RCTT	500 PSI	4.5"	29.9" Hg
1"	16RCTT	400 PSI	7.0"	29.9" Hg
1 1/2"	24RCTT	350 PSI	13.0"	29.9" Hg
2"	32RCTT	300 PSI	18.0"	29.9" Hg
3"	48RCTT	200 PSI	28.0"	29.9" Hg
4"	64RCTT	150 PSI	42.0"	29.9" Hg

**THERMO  
TECH INC.**

287 South Santa Fe Drive  
Denver CO 80223  
Phone 303 698 9988  
Fax 303 698 2184  
[www.ThermoTechDenver.com](http://www.ThermoTechDenver.com)