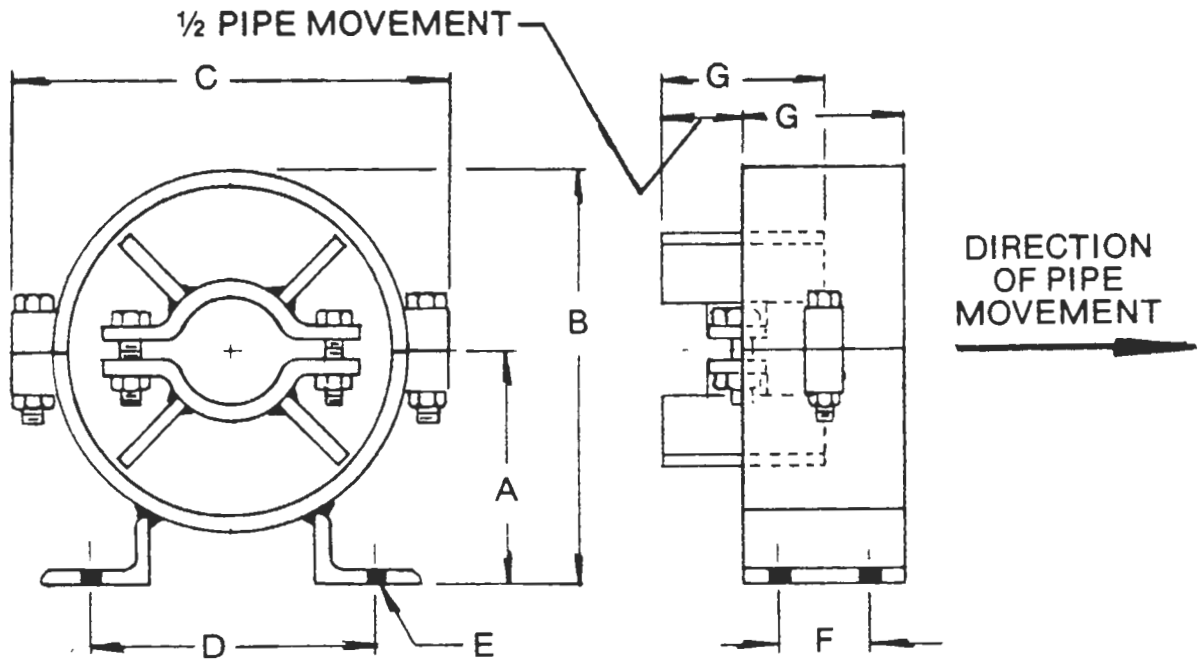




Pipe Guides

**THERMO
TECH INC.**

287 South Sante Fe Drive
Denver, CO 80223
Phone (303) 698-9988



MODEL	A	B	C	D	E	F	G	MAXIMUM MOVEMENT
23	3-1/2"	5-3/4"	5-7/8"	4-1/4"	5/8"	1-3/4"	3"	4"
24	4	6-3/4	7	4-1/2	5/8	1-3/4	3	4
25	4-3/8	7-5/8	8	5-1/4	5/8	1-3/4	3	4
26	5-1/4	9-1/2	10-3/8	6-1/4	5/8	1-3/4	3	4
27	6-1/4	11-5/8	12-1/2	7-1/4	5/8	2-3/4	4	6
28	7-1/4	13-5/8	14-1/2	8-1/4	5/8	2-3/4	4	6
29	8	15	15-3/4	10	3/4	4	6	8
30	9	17	17-3/4	11	3/4	4	6	8
31	9-3/4	18-3/4	20-1/8	12	3/4	4	6	8
32	11-1/8	21-1/8	22-1/8	13-1/2	7/8	4	6	8

MODEL SELECTION CHART

Job _____

Contractor _____

Engineer _____

Representative _____

Order No. _____ Date _____

Submitted by _____

Approved by _____ Date _____

Tag _____

PIPE SIZE	INSULATION THICKNESS				
	1"	1 1/2"	2"	2 1/2"	3"
2	24	25	28	26	27
2 1/2	25	25	26	26	27
3	25	26	26	27	27
4	26	26	27	27	28
5	27	27	27	28	28
6	27	27	28	28	29
8	28	28	29	30	30
10	30	30	30	31	31
12	31	31	31	32	32