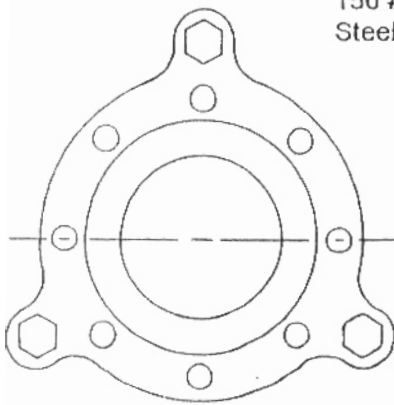




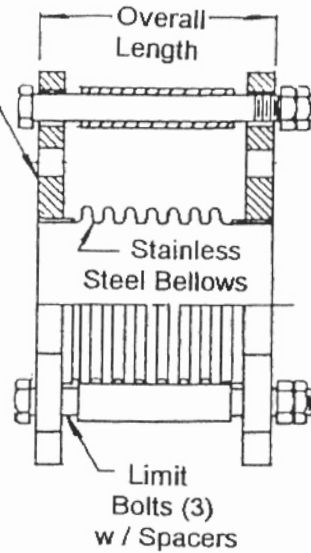
# Flexible Connector Expansion Joint

SUBMITTAL

## Model F/J/X



150 # Carbon  
Steel Flange



Job _____	
Contractor _____	
Engineer _____	
Representative _____	
Order No. _____	Date _____
Submitted by _____	
Approved by _____	Date _____
Tag _____	

Nominal Pipe Size	2"	2 1/2"	3"	4"	5"	6"	8"	10"	12"
Overall Length	4"	4"	4 1/2"	4 1/2"	4 1/2"	5"	6"	6"	6"
Axial Compression	1/2"	1/2"	1/2"	1/2"	1/2"	1/2"	1/2"	3/4"	3/4"
Axial Extension	1/4"	1/4"	1/4"	1/4"	1/4"	1/4"	1/4"	1/4"	1/4"
Lateral Offset	1/8"	1/8"	1/8"	1/8"	1/8"	1/8"	1/8"	1/8"	1/8"

Note: All Movements are Non-concurrent

- Integral Limit Bolts
- Compression Stop Spacers
- 150 PSIG Working Pressure
- 650° F Maximum Temperature
- Carbon Steel 150# Drilled Flanges
- Multi-Ply Stainless Steel Bellows

***THERMO***  
***TECH INC.***

287 South Santa Fe Drive  
Denver CO 80223  
Phone 303 698 9988  
Fax 303 698 2184

[www.ThermoTechDenver.com](http://www.ThermoTechDenver.com)