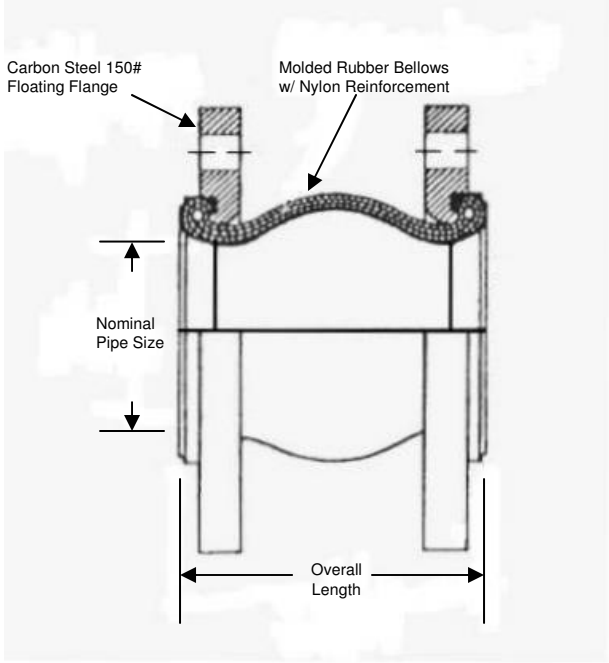




Rubber Connector/Expansion Joint Type FF/SS/EP Single Sphere

SUBMITTAL

NYLON REINFORCED EPDM FLANGED SPHERICAL CONNECTOR



Job _____	
Contractor _____	
Engineer _____	
Representative _____	
Order No. _____	Date _____
Submitted by _____	
Approved by _____ Date _____	
Tag _____	

EPDM Elastomer:

Temperature Vs Pressure

170°	225 PSIG
190°	185 PSIG
210°	155 PSIG
230°	135 PSIG
250°	120 PSIG

Control Rods are Required on
Unanchored Piping Systems

Allowable Movements

Nominal Pipe Size	Neutral Length	Angular Degrees	Elongation Inches	Compression Inches	Misalignment Inches
1 1/2"	6"	25	3/8	1/2	1/2
2"	6"	20	3/8	1/2	1/2
2 1/2"	6"	17	3/8	1/2	1/2
3"	6"	14	3/8	1/2	1/2
4"	6"	14	1/2	3/4	1/2
5"	6"	11	1/2	3/4	1/2
6"	6"	9	1/2	3/4	1/2
8"	6"	7	1/2	3/4	1/2
10"	8"	7	5/8	1	3/4
12"	8"	6	5/8	1	3/4

TYPICAL SPECIFICATION

Provide, where indicated, a molded spherical design, reinforced rubber, flexible connector. End connections are to be plate steel drilled per 150# ANSI standards, plated for corrosion resistance and individually rotatable for easy alignment during installation. Connector to be _____ inches in diameter by _____ inches overall length. THERMO TECH Model FF/SS/EP



287 South Sante Fe Drive
Denver, Colorado 80223
Phone (303) 698-9988
www.thermotechdenver.com