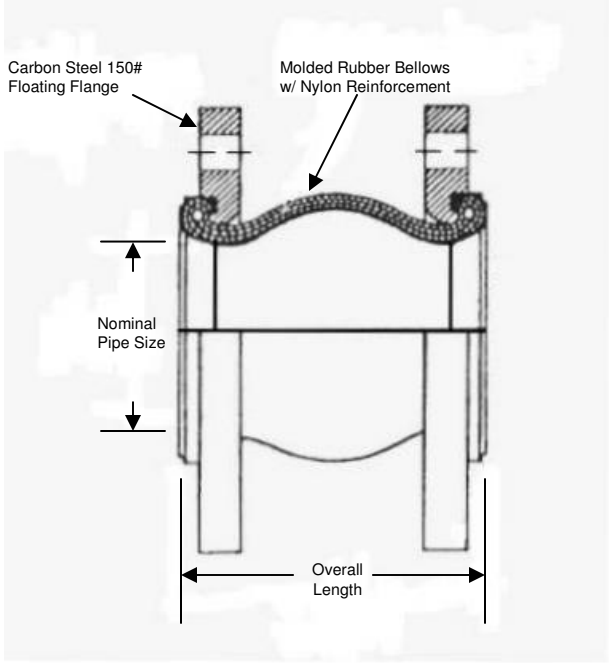




# Rubber Connector/Expansion Joint Type FF/SS Single Sphere

SUBMITTAL

## NYLON REINFORCED NEOPRENE FLANGED SPHERICAL CONNECTOR



Job _____	
Contractor _____	
Engineer _____	
Representative _____	
Order No. _____	Date _____
Submitted by _____	
Approved by _____ Date _____	
Tag _____	

Neoprene Elastomer:

### Temperature Vs Pressure

170°	225 PSIG
190°	185 PSIG
210°	155 PSIG
230°	135 PSIG

Control Rods are Required on  
Unanchored Piping Systems

### Allowable Movements

Nominal Pipe Size	Neutral Length	Angular Degrees	Elongation Inches	Compression Inches	Misalignment Inches
1 1/2"	6"	25	3/8	1/2	1/2
2"	6"	20	3/8	1/2	1/2
2 1/2"	6"	17	3/8	1/2	1/2
3"	6"	14	3/8	1/2	1/2
4"	6"	14	1/2	3/4	1/2
5"	6"	11	1/2	3/4	1/2
6"	6"	9	1/2	3/4	1/2
8"	6"	7	1/2	3/4	1/2
10"	8"	7	5/8	1	3/4
12"	8"	6	5/8	1	3/4

### TYPICAL SPECIFICATION

Provide, where indicated, a molded spherical design, reinforced rubber, flexible connector. End connections are to be plate steel drilled per 150# ANSI standards, plated for corrosion resistance and individually rotatable for easy alignment during installation. Connector to be \_\_\_\_\_ inches in diameter by \_\_\_\_\_ inches overall length. THERMO TECH Model FF/SS



287 South Sante Fe Drive  
Denver, Colorado 80223  
Phone (303) 698-9988  
www.thermotechdenver.com