



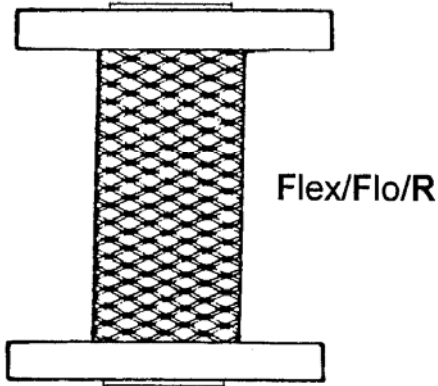
Flexible Connector

Type F/F/R

SILOFLEX* Lined

SUBMITTAL

TT-20

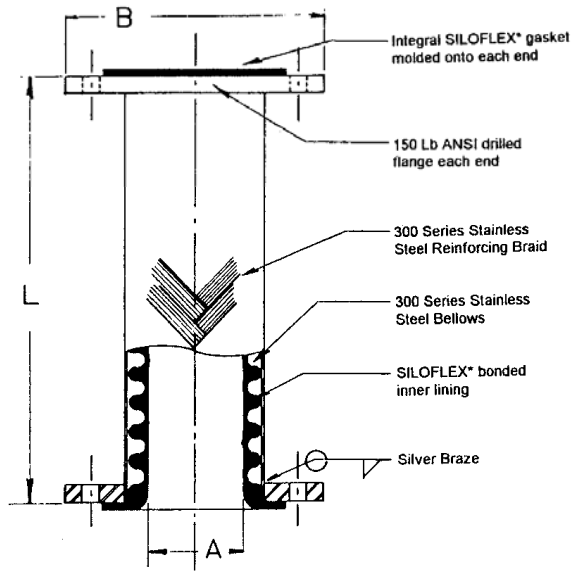


Job	_____
Contractor	_____
Engineer	_____
Representative	_____
Order No.	_____ Date _____
Submitted by	_____
Approved by	_____ Date _____
Tag	_____

- SILOFLEX* silicone rubber liner and integral gasket
- 300 series stainless steel convoluted bellows and wire braid
- Operating temperature of: - 60 F to + 250 F
- Working pressure of 150 PSIG, 300 PSIG available
- Interior surface is sanitary with no areas of entrapment

For food & beverage applications:
(Sanitary Flex/Flo/R Model #1511)

- Food grade FDA SILOFLEX* liner and integral gasket
- 150# ANSI drilled T304 stainless steel flanged ends
- Food grade FDA SILOFLEX* sanitary braid cover available



NOMINAL PIPE SIZE	FLANGE DIAMETER	FLEX/FLO/R* LENGTH		
		A	B	L
1 1/2	5	6	12	18
2	6	6	12	18
2 1/2	7	6	12	18
3	7 1/2	6	12	18
4	9	6	12	18
5	10	12	18	24
6	11	12	18	24
8	13 1/2	12	18	24
10	16	12	18	24
12	19	12	18	24

**THERMO
TECH INC.**

287 South Santa Fe Drive
Denver CO 80223
Phone 303 698 9988
Fax 303 698 2184
www.ThermoTechDenver.com